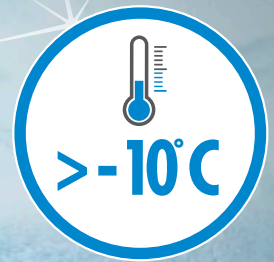


# AIRSTOP FROZEN

ADHESIVE SEALANT WITH A WIDE RANGE OF ADHESIVE PROPERTIES



RELIABLE AND EFFECTIVE even at COLD TEMPERATURES



Water-tight



> -10°C



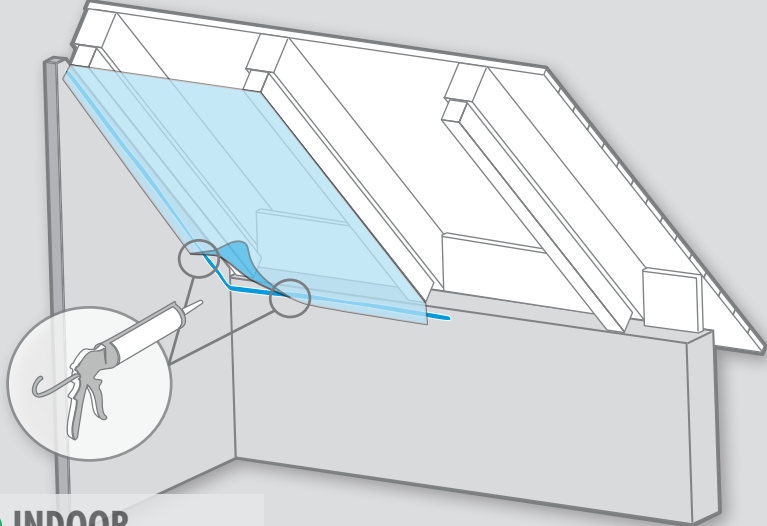
Expandable



High adhesion

**ISOCELL**

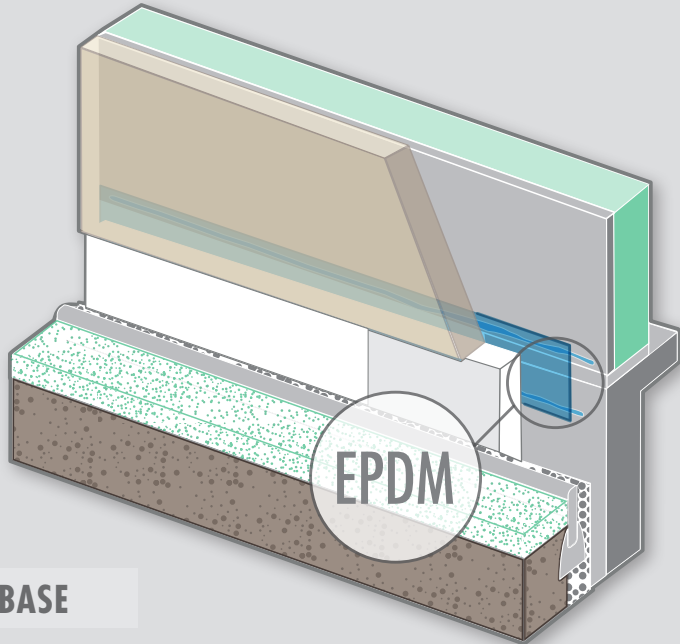
# AREAS OF APPLICATION



○ INDOOR

AIRSTOP Vapour Barriers

EPDM Sealing Strips

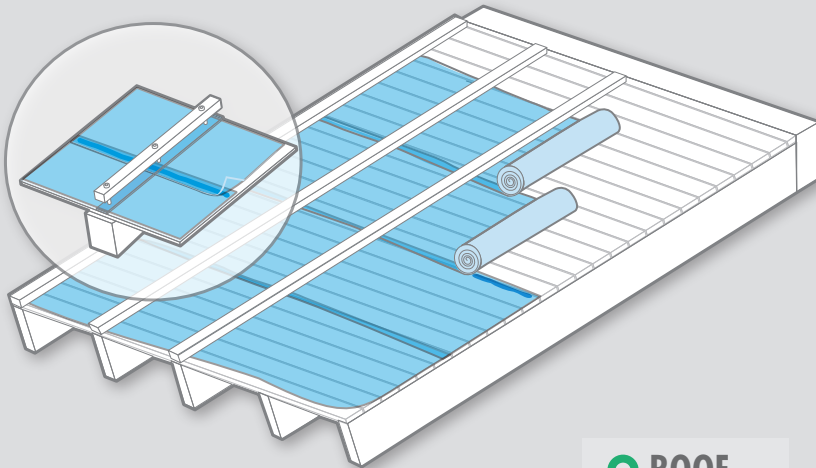


○ BASE

**AIRSTOP  
FROZEN**

Adhesive Sealant with a wide range of adhesive properties

# AIRSTOP FROZEN

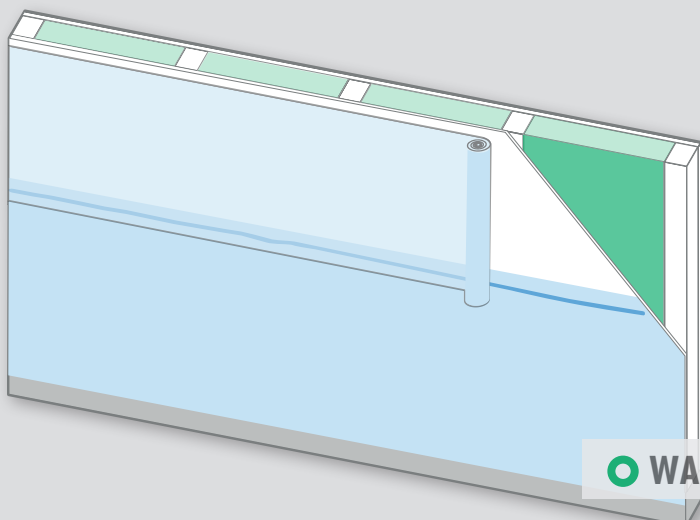


○ ROOF

OMEGA Roof Underlays

ISOWINDOW Window Tapes

OMEGA Facade Linings



○ WALL



## DESCRIPTION

AIRSTOP FROZEN Adhesive Paste is used to join seams of EPDM, AIRSTOP vapour retarders, OMEGA Roof Underlay and Facade Lining\* and ISOWINDOW Window Tapes. It bonds with most substrates customary in construction, such as wood, metal, stone, concrete, brick, plaster and bituminous surfaces.

The adhesive is permanently elastic, water-tight and meets the requirements for air and wind tightness of a building envelope according to current standards such as DIN 4108-7.



\*Except: OMEGA UDOs und UDOs TopGrip Dachbahnen

# AIRSTOP FROZEN



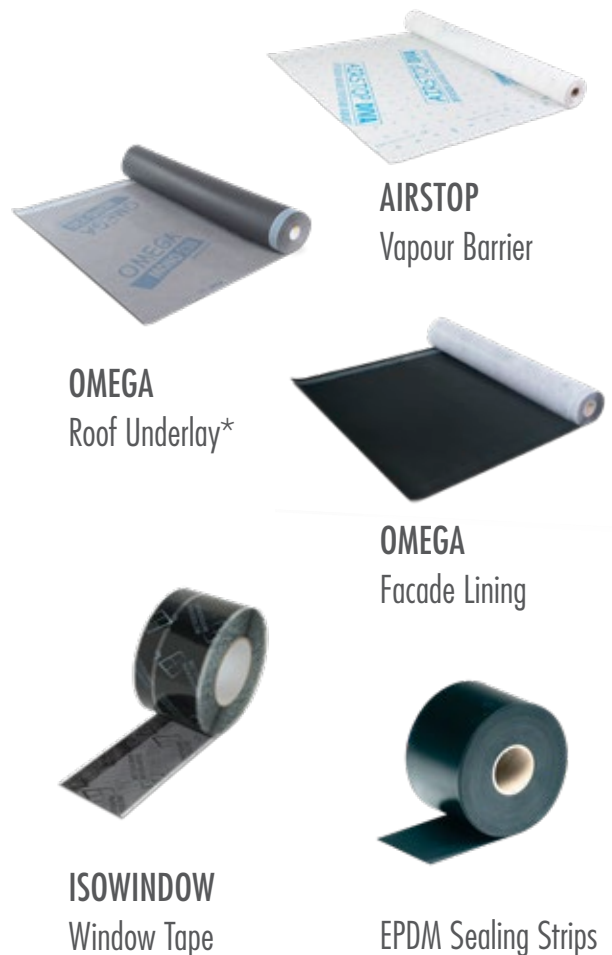
## PRODUCT DATA

Material composition	Adhesive on polyurethane prepolymer basis with low solvent content
Density	1,2 g/cm <sup>3</sup>
Working temperature	> -10 °C
Hautbildezeit	5 min.
Colour	Black
Storage	12 months unopened, at +5° - +30° C, protected from direct sunlight

## AVAILABLE DIMENSIONS

	Content	Carton content / pcs.
Cartridge	310 ml	12
Foil pack	600 ml	12

## RECOMMENDED FOR



**OMEGA**  
Roof Underlay\*

**AIRSTOP**  
Vapour Barrier

**OMEGA**  
Facade Lining

**ISOWINDOW**  
Window Tape

**EPDM** Sealing Strips

\*Except: OMEGA UDOs und UDOs TopGrip Dachbahnen

### ISOCELL GmbH & Co KG

Gewerbestraße 9 | 5202 Neumarkt am Wallersee  
Tel.: +43 6216 4108-0 | Fax: +43 6216 7979  
E-Mail: office@isocell.at | WWW.ISOCELL.COM

# ISOCELL