

OMEGA BASETOP

SCREED SHEETING



OPTIMAL PROTECTION AGAINST RADON



resistant to perforation



vapour impermeable



radon-tight



watertight

ISOCELL

DESCRIPTION

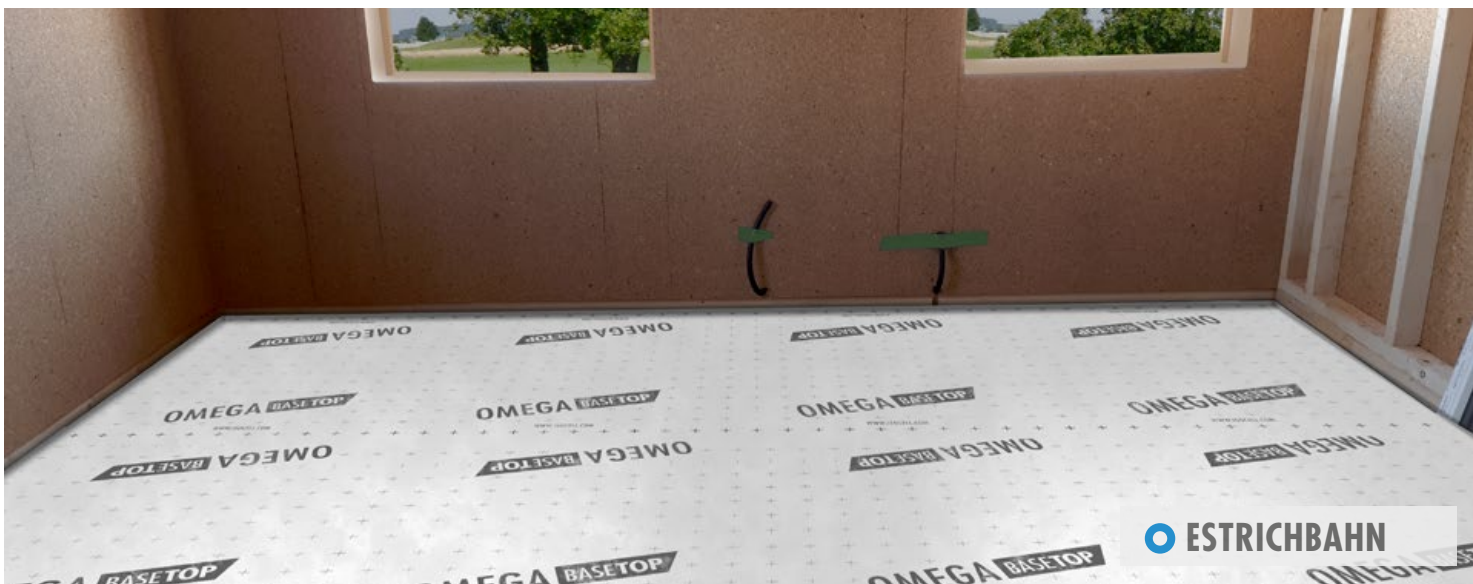
Is a high vapour-impermeable moisture and radon barrier. The special multi-layer sheeting consists of a quality corrosion-resistant aluminium layer with fleece reinforcement on both sides. The sheeting was specially developed as damp-proofing for use on floor slabs with ground contact as a protection against ascending moisture in accordance with DIN 18195-4 or on intermediate floors, as vapour barrier above rooms which are subject to a high degree of stress in terms of construction physics. The adhesive backing on both sides permits a quick, clean and tight seam during handling.

FIELD OF APPLICATION

- SEAL ON FLOOR SLABS WITH GROUND CONTACT AGAINST GROUND MOISTURE
- CONCRETE FLOOR AGAINST RESIDUAL MOISTURE
- INTERMEDIATE FLOOR AS VAPOUR BARRIER
- RADON BARRIER
- VAPOUR BARRIER BELOW NON-VENTILATED ROOF INSULATION

PRODUCT DATA

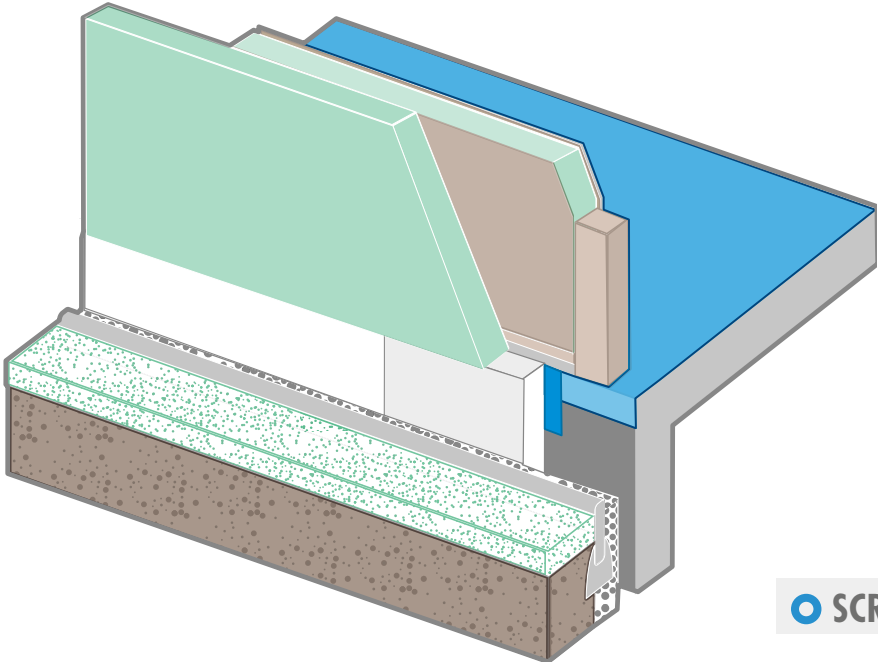
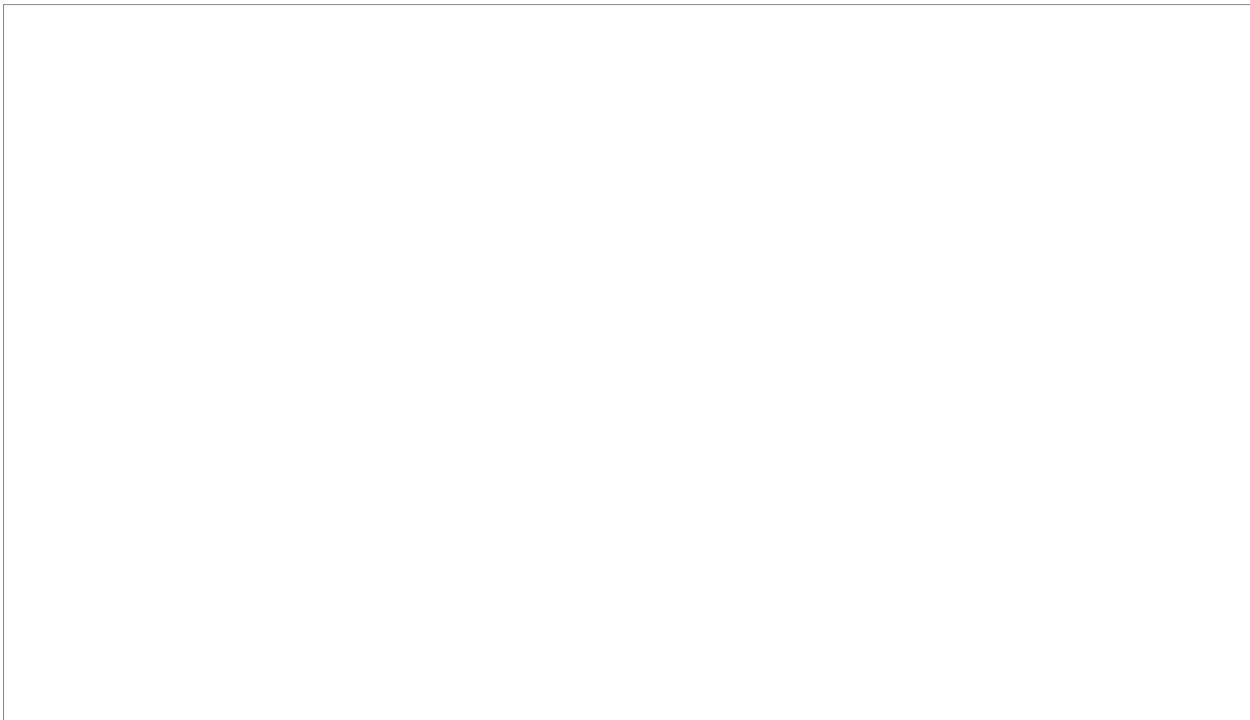
Roll width	150 cm
Roll length	25 m
Material composition	Aluminum composite foil and PP nonwoven fabric
Thickness	0,4 mm
Colour	Lightgrey
Weight	260 g/m ²
sd-value	1500 m
Temperature resistance	-40 °C – +80 °C
Resistance to water flow	W1



● ESTRICHBAHN

OMEGA BASETOP

SCREED SHEETING



 SCREED SHEETING

OMEGA BASETOP

SCREED SHEETING



INFO



PROCESSING GUIDELINE

The sheeting is laid loosely with approx. 10 cm overlap on even ground surfaces which are free from sharp edges and soiling.

If required the membrane can be bonded with the substrate over the entire surface using UNI XL Primer Spray (contact bonding method).

The longitudinal seams become permanently sealed and watertight by simply pulling off the backing strips followed immediately by pressing down the adhesive joint. End joints and seams must have an overlap of min. 10 cm, using OMEGA PLASTO Adhesive Tape.

Membrane connections at penetration points, rising structural elements and damp-proof courses must be made using OMEGA PLASTO Tape Adhesive Tape. The overlap should be min. 10 cm.

If required the substrate may be pre-treated using UNI Primer Spray.

RECOMMENDED PRODUCTS

UNI XL Primer Spray / UNI SPRAY Primer Spray

To optimise the adhesion of adhesive tapes. Particularly characterised by its fast processing.

Working temperature: from - 5°C



OMEGA PLASTO Tape

OMEGA PLASTO Tape is an expandable butyl-rubber tape with a fleece base that can be plastered and painted over. The adhesive area has a split, asymmetrical PE backing. The liner split enables precise application at intersections and in corner areas.

Thickness: 0,8 mm



OMEGA Alu-ButylRohrmanschette

For the permanent airtight sealing of penetrations around pipes. For use on soffibreboard, concrete, roof underlay etc., indoors and outdoors. If necessary, use a primer!

Working temperature: from + 5°C



Additional accessories upon request

ISOCELL GmbH & Co KG

Gewerbestraße 9 | 5202 Neumarkt am Wallersee
Tel.: +43 6216 4108-0 | E-Mail: office@isocell.at
WWW.ISOCELL.COM

ISOCELL